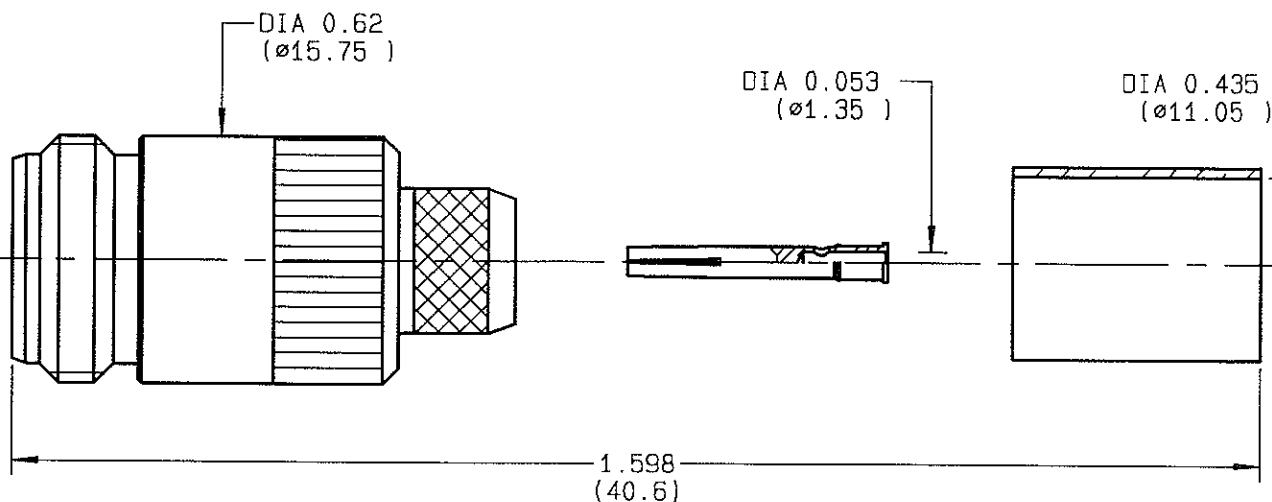


**STRAIGHT JACK FULL CRIMP-TYPE  
CABLE 10/75 S**

**R162.241.000**  
SERIES N 75



NOMINAL IMPEDANCE	75 $\Omega$	CABLES : KX 8
FREQUENCY RANGE	0-1.5 GHz	RG 11
TEMPERATURE RATING	-55/+155 °C	RG 144
V.S.W.R	1.06 + x F(GHz)Maxi	
RF INSERTION LOSS	0.15 $\sqrt{F}$ (GHz) dB Maxi	
VOLTAGE RATING	1400 Veff Maxi	
DIELECTRIC WITHSTANDING VOLTAGE	2500 Veff Mini	
INSULATION RESISTANCE	5000 M $\Omega$ Mini	OTHERS CHARACTERISTICS
HERMETIC SEAL	NA Atm.cm <sup>3</sup> /s	CABLE RETENTION
LEAKAGE (pressurized only)	NA	300 N Mini
MECHANICAL DURABILITY	500 Cycles	CENTER CONTACT RETENTION
WEIGHT	29.2 gr	Axial force - mating end
SPECIFICATION		27 N Mini
		Axial force - opposite end
		27 N Mini
		Torque
		NA cm.N Mini
		RECOMMENDED TORQUES
		Mating
		NA cm.N
		Panel nut
		NA cm.N
		Clamp nut
		NA cm.N

CONNECTOR PARTS	MATERIALS	FINISH	(all values are given in micrometers)
BODY	BRASS	BBR 2	
OUTER CONTACT	BRASS	BBR 2	
CENTER CONTACT	BERYLLIUM COPPER	GOLD 0.5 OVER NICKEL 2	
INSULATOR	PTFE	-	
GASKET		-	
OTHERS PIECES	BRASS	BBR 2	

GAUTIER

ISSUE	CREATION DATE	FILE PART-NUMBER
9729C00	27-OCT-94	



The information given here is subject to change without notice. Design changes may be in order to improve the product.

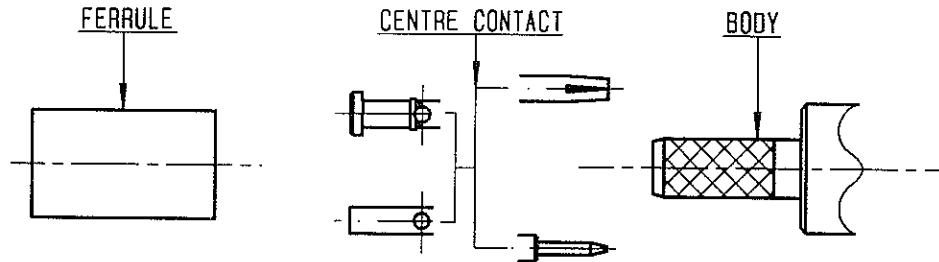
Connect to the future



**R162.241.000**

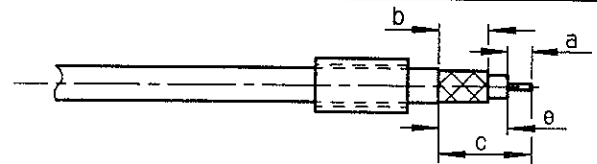
ISSUE 9729C00

SERIES N 75



①

Slide onto the cable the ferrule  
Strip the cable .

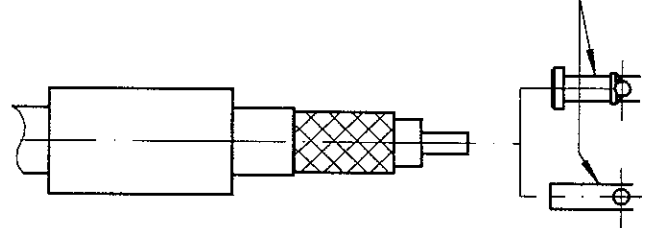


Stripping	a	b	c	d	e
inch	0.177	0.295	0.61	0	0.433
mm	4.5	7.5	15.5		11

②

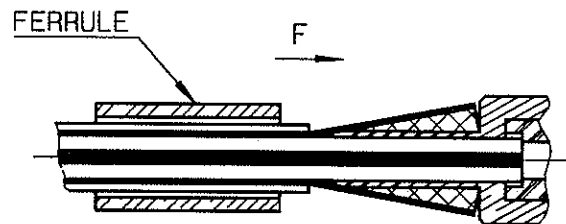
Slide on centre contact until it bottoms against cable dielectrique .  
Crimp centre contact .  
Crimping tool : R282 223 000 ( Hex. : 0.068 )  
or R282 293 000 ( M22520/5-01 )  
+ dies R282 235 011 ( M22520/5-11 ) .

CRIMPING



③

Fan the braid .  
Slide cable into the body until bottoms against insulator .  
Slide ferrule over the braid .  
(In direction F)



④

Crimp the ferrule with crimping tool R 282 231 000 ( Hex. : 0.415 ) or crimping tool R282 293 000 ( M22520/5-01 )  
+ dies R282 235 116 ( Y 116 DANIELS )  
Cut the excess of braid .

